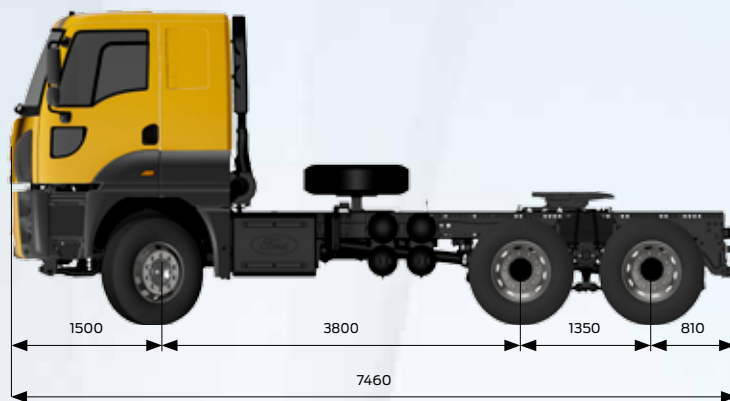
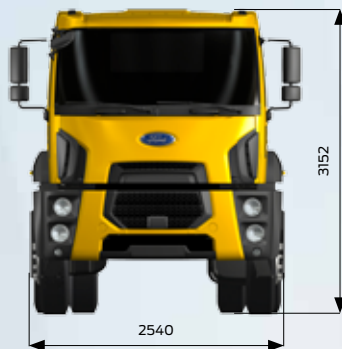


FORD TRUCKS 3542T LR EURO6



Basic Features

Vehicle Type	Tractor
Axle	6x4
Emission	Euro 6
Cabin Type	Low Roof Sleeper Cab
Wheelbase (mm)	3800

Engine

Type	Ecotorq 12.7 liter
Displacement [cc]	12740
Diameter x Stroke	130 mm x 160 mm
Power	420 PS (308,9 kW) / 1800 d/d
Torque	2150 Nm / 1000-1300 d/d
Compression Ratio	17 +/- 0,5 : 1
Oil Filling Volume [l]	50 L
Coolant volume [l]	37 L (with Intarder 57 L)

Transmission

Clutch	2 x 400 mm Twin Clutch
Manuel Transmission / ratios (1.gear- 16. gear)	ZF 16S 2230 (13,805-0,836)

Steering

Power Assisted Single Circuit

Chassis

Chassis thickness [mm]	10mm with Reinforcement
Chassis Strength [MPa]	500 MPa
Suspension (Rear/Front)	Parabolic Leaf Springs / Parabolic Tandem Suspension
Axle	Hub Reduction
5th Wheel Options	1400 / 3,5 inch King Pin
Tyres	315/80 R 22,5
Wheel Rim	22,5 x 9 Steel

Braking System

Brakes (front/rear) (Ø.mm x mm. length)	410 X 200, Z-Cam Brake System
Braking System	Dual Brake Circuit – Air Processing Unit with Integrated Oil Separator and Heater
Engine Brake Power	max. 340 kW (Engine Level)
Intarder Power [Optional]	max. 600kW / continuous 160kW

Electrical System

Battery	180 Ah
Alternator / Starter Motor	130 A / 6.5 kW

Tanks

Fuel Tank	400 L Steel
SCR Tank	55 L

TRUCKCENTRUM east, s.r.o.

www.truckcentrum.sk

Na záhumní 613, 040 15 Košice - Šaca, Slovensko
Okresný súd Košice I, oddiel Sro, vložka 25837/V

IČO: 45 599 165, IČ DPH: SK2023052273



Dimensions [mm]

Front Overhang	1500
Wheelbase	3800
Overall Length	7460
Overall Cab Length	2570
Height @Curb (w/o Rails)	3223
Rear Overhang	810
Overall Vehicle Width (Excl. Mirrors)	2540

Weights [kg]	1. Axle	2. Axle	3. Axle	Total
Technically Permissible Weights	8000	13400	13400	34000
Kerb Weight	5553	2600	2478	10631
Payload	2447	10800	10922	23369
Legally Permissible Weight	7500	9500	9500	26000

STANDARD EQUIPMENT

- Air Conditioner
- Radio/CD Player
- Dry Type Cab Heater **
- Transmission (double gear) PTO without Flange
- 4 Point Independent Cab Suspension for Day Cab
- Cruise Control
- Electrically Operated Windows
- Electrically Operated and Heated Side Mirrors
- Electrically Operated Headlamp Leveling
- Rake and Reach Adjustable Steering Column
- Heated and Air Suspended Driver Seat
- Ventilation Roof
- Lumbar Support
- Front and Rear Vehicle Antiroll Bars
- Anti-lock Brake System (ABS)
- Brake Lining Wear Sensor
- Immobilizer
- Auto Lights
- Single Key with Remote Control and Central Locking
- Home Safe
- Differential Lock
- Rear Fog Lamps
- Digital Tachograph
- Short Bumper
- Switchable Air Compressor (For Improved Fuel Economy)
- Trailer coupling
- Jost 5. Wheel

OPTIONAL EQUIPMENT

- Intarder
- Day Cab
- ADR Pack
- Wet Type Cab Heater
- Cold Pack with Wet Type Cab Heater
- Cold Pack with Dry & Wet Type Cab Heater **
- Electrically Operated Cab Tilting
- Engine PTO Options & Interior Control Unit
- Automatic Traction Control (ATC)
- 225 Ah battery
- Transmission (double gear) PTO with Flange
- Rear Window ***

** Only available with Low Roof Sleeper Cab.

*** Not Available with Low Roof Sleeper Cab.